

1979-80

Honda CB750 K, F, Ltd.

Windjammer IV Vindicator II Mounting Instructions

Dear Vetter Owner:

These instructions explain the procedure required to mount either the Windjammer IV or Vindicator II fairing to your motorcycle. We urge you to follow the preparation and assembly sequence from start to finish. This will benefit you directly in several ways: 1) You will be assured the fairing is properly installed and is immediately ready for operation. 2) You will minimize unnecessary confusion, moaning and scraped knuckles. 3) You will protect your investment by doing it right, and 4) with the confidence that nothing has been overlooked, you won't have to waste time backtracking to correct mistakes. That's time you could spend riding.

Thanks for buying Vetter products. We appreciate your business and comments.

Sincerely,
The folks at Vetter

NOTE TO DEALERSHIP PERSONNEL: If you are installing the fairing, we ask that you adhere to this procedure. Following these instructions will help ensure that your customer remains a customer.

Table of Contents

Prepare the Motorcycle	2
Engine Guards	3
Install Mounting Bracket	3
Electrical Connections	4
Mount Fairing	5
Vindicator Turn Signals.	6

WARNING: THIS BRACKETING AND THESE INSTRUCTIONS WERE DESIGNED SOLELY FOR USE IN MOUNTING THE VETTER WINDJAMMER IV AND VINDICATOR II FAIRINGS TO THIS SPECIFIC MOTORCYCLE. IF YOU ARE UNABLE TO DETERMINE IF THIS HARDWARE IS FOR YOUR MOTORCYCLE, CONTACT YOUR DEALER. IF YOUR DEALER IS UNAVAILABLE, CONTACT THE CUSTOMER SERVICE DEPARTMENT, VETTER CORPORATION, 1150 LAUREL LANE, SAN LUIS OBISPO, CA 93401 (805) 541-2900. THESE INSTRUCTIONS CONTAIN VALUABLE INFORMATION FOR FUTURE REFERENCE. THEY MUST BE GIVEN TO THE CUSTOMER.

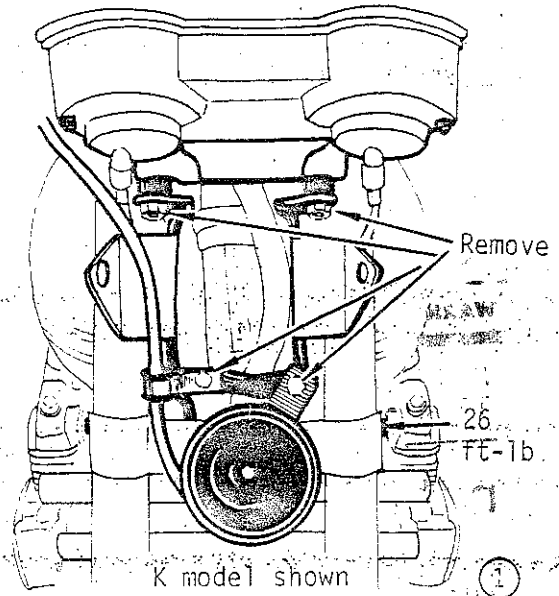
prepare the motorcycle

(Unless otherwise noted, steps apply to all models.)

1. Put the motorcycle on its centerstand. Remove the two phillips head screws in the headlight rim, remove the rim and pull the headlight forward. Disconnect the 3-prong plug and remove the headlight.
2. Unscrew the reflectors and remove their rubber covers. Put the reflectors aside to be remounted.
3. Disconnect the 3 turn signal wires on each side: Left - Orange, Orange/White, Green. Right - Blue, Blue/White, Green.
4. Disconnect the tachometer and speedometer cables. Unplug all the wiring block connectors. Detach the headlight shell from the stays and pull the wiring harness back through the access hole. Pull the tach cable and wire harness past the steering head and let them hang down behind the fender.

F and Ltd. Only

Remove plastic cover between horns. Remove the two 6mm bolts holding the horn assembly. (Ltd. only: Remove the two 6mm cable holder bolts on the headlight bracket.)



5. Remove the phillips head screws and 10mm bolts holding the turn signal assembly. Remove the signal. Reinstall the bolts and tighten to 26 ft.-lb. torque. (Illus. 1)

K Model Only

Remove the bolt holding the brake line clamp to the bracket, and detach clamp from brake line. Remove the horn assembly from the headlight bracket. (Illus. 1)

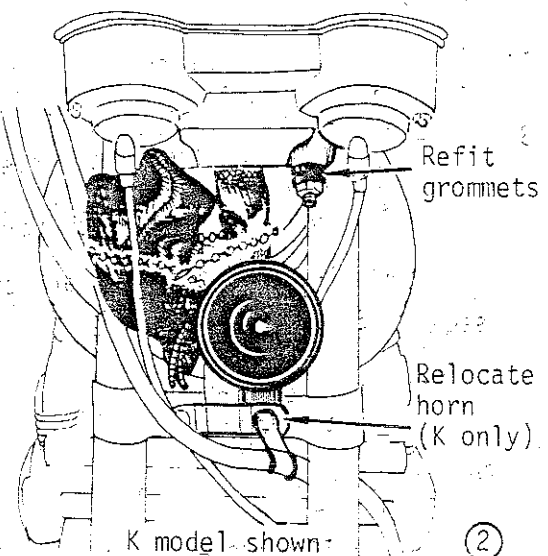
6. Remove the two 6mm nuts holding the headlight bracket at the instrument panel studs. Lift instruments and remove headlight bracket by pulling it forward and up. (Illus. 1)
7. Remove rubber grommets from the top of headlight bracket. Fit grommets, washer side down, to the instrument panel studs and secure with original washers and nuts. (Illus. 2)

K Model Only

If you are NOT installing the optional horn, fit the stock horn to the wiring bracket on the lower triple clamp as shown. (Illus. 2)

F and Ltd. Only

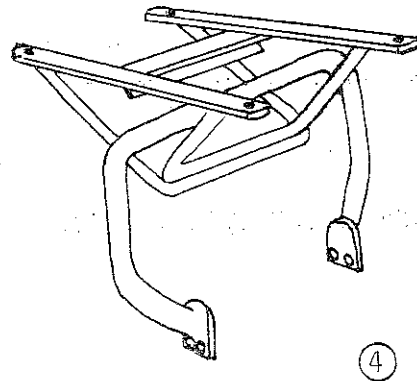
Reinstall horns in their original position. Remove the motorcycle gas tank to prevent damage during installation and to facilitate assembly.



engine guards

NOTE: Before mounting your fairing hardware with an engine guard, check to see that the mounting bracket can be attached securely to the frame without interference from the engine guard.

1. Mark the position of the upper engine guard mount on the motorcycle frame.
2. Remove the engine guard and position the mounting hardware on the frame. The hardware should clear all marks that locate the upper engine guard mount.



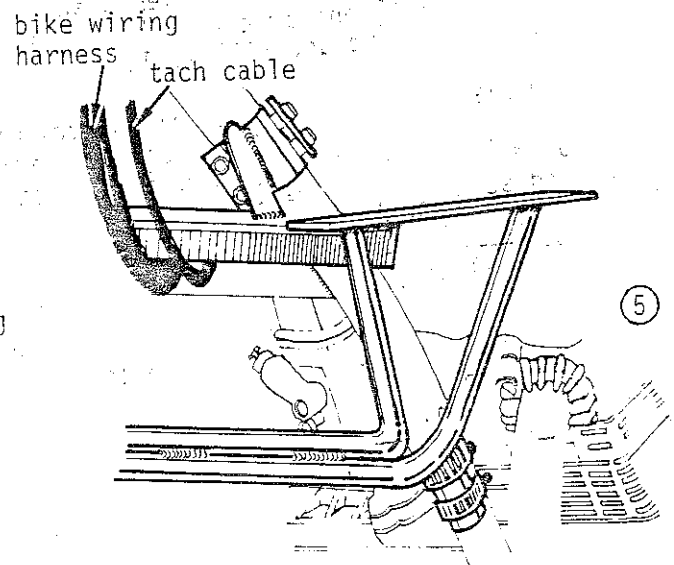
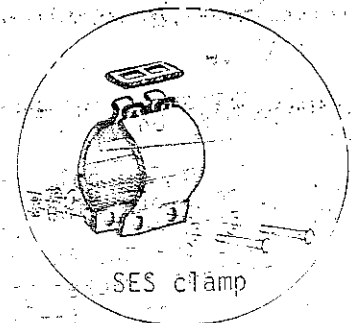
WARNING

IF IT IS OBVIOUS THAT THE MOUNTING BRACKET AND ENGINE GUARD CANNOT BE USED TOGETHER, DO NOT ATTEMPT TO MOUNT THE FAIRING WITH THE ENGINE GUARD. IF THERE IS NO APPARENT INTERFERENCE, CONTINUE WITH THE APPROPRIATE SECTION.

install mounting bracket

NOTE: The tach cable and bike wiring harness should still be disconnected. They will be routed below the mounting bracket crossbar. (Illus. 5)

1. Position the mounting bracket on the frame as shown. Attach the SES clamps with two 6x25mm bolts, nuts, and washers on each side (see Illus. 5), do not tighten completely.
2. Fit the lower mounting pads with hose clamps, leaving them slightly loose.
3. From the front of the motorcycle, check the mounting bracket for levelness and adjust as necessary.
4. Snug up the SES clamps on each side, then tighten each clamp in an alternating sequence. DO NOT OVERTIGHTEN.
5. Tighten the four hose clamps on the lower mounting pads.
6. Reconnect the tach cable. Turn the handlebars full left and right and check that the cable isn't binding.



Electrical connections

Reconnect all the wiring block connectors to their original counterparts. If the optional horns ARE installed in the fairing, do NOT reconnect horn wires to the original horn.

Attach the Vetter wiring harness between the frame and left fork tube. Attach the 3-prong plug in the harness to the motorcycle's headlight socket.

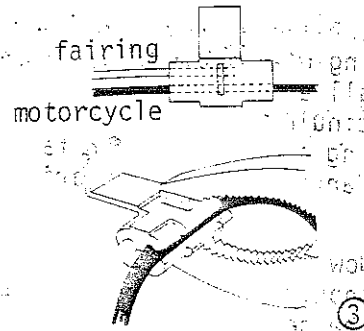
Connect the remaining wires following the color code below:

Fairing Wire	Function	Motorcycle Wire
Orange	Left turn signal	Orange
Light blue	Right turn signal	Light blue
Brown/White	Running lights	Brown/White
Black	Lighter	Black
Battery wire (+)	Accessory (Horn option)	Battery wire (+)
Light green	Accessory (Horn option)	Light green

NOTE: THE ORANGE, BROWN AND RED FAIRING WIRES ARE CONNECTED AS ABOVE ONLY FOR THE ACCESSORIES LISTED. ANY UNUSED WIRING SHOULD BE TAPED OFF AT THE END. BEFORE USING THESE WIRES FOR ANY OTHER ACCESSORIES, MAKE SURE THE MOTORCYCLE'S ELECTRICAL SYSTEM WILL TOLERATE THE EXTRA CURRENT DEMAND.

Plug the male bullets into the appropriate female connectors. Gently pull all connectors to make sure they are tight. If not, crimp the outside of the connectors with wire crimpers or pliers after the connection is made.

For wires without connectors, use the provided blue connectors as shown. (Illus. 3)



- Snap the blue connector over the appropriate motorcycle wire.
- Insert the appropriate fairing wire into the other hole. The wire will not go all the way through the connector.
- Squeeze the metal tab down flush with the top of the connector.
- Fold the plastic lid down and snap it shut.

Seal all the wiring connectors with the black vinyl bag supplied. Cinch up the drawstring and place the bag upside-down to keep water out. Hook two bag ends end to end and secure the bag to the wire harness going into the instrument panel. (Illus. 2, on page 2)

mount the fairing

217

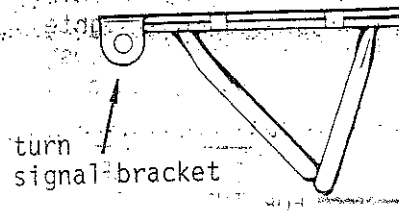
NOTES:

If you are planning to install Vetter color inserts, they should be applied before the fairing is mounted.

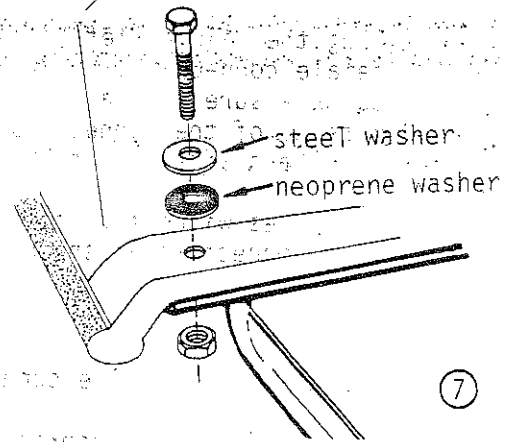
If you are installing the optional horns, refer to the instructions packaged with the horn kit. If not, proceed with the following steps.

VINDICATOR ONLY: Place the turn signal brackets on the support shelves. Tape the brackets in place to prevent movement when the fairing is being installed. (Illus. 6)

1. Prepare four 6 x 35mm bolts with flat washers and neoprene washers as shown. Insert the bolts in the mounting holes in the fairing.
2. Set the fairing on the mounting bracket so the four bolts drop through the holes. Install lock nuts on the bolts, but do not tighten completely. (Illus. 7)

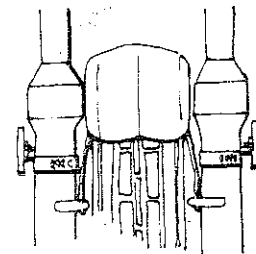
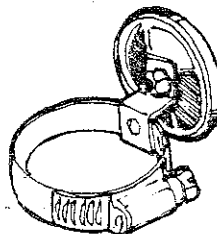


3. Before tightening the nuts, plug the external wire harness into the fairing at the serial number plate. Check all electrical components before continuing. Refer to the Troubleshooting section in your fairing Owner's Manual if problems arise.



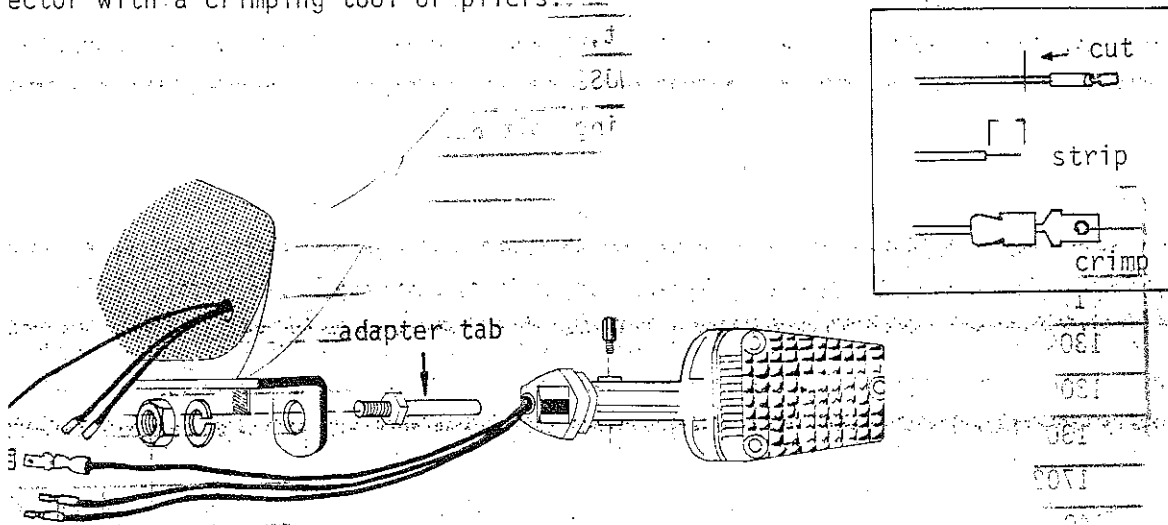
4. Now tighten the four bolts enough to slightly compress the neoprene washers.
5. Fit the reflectors to the mounting clamps with the 6mm nuts provided.
6. Install each assembly on the fork slider as shown. (Illus. 8)

Refer to your Owner's Manual for windshield mounting instructions and final adjustments. We suggest you insert these instructions in the manual for future reference.



Indicator turn signals

Remove the bullet connector off the turn signal's green ground-wire. Strip the insulation back 3/8". Crimp on the provided male spade connector with a crimping tool or pliers.



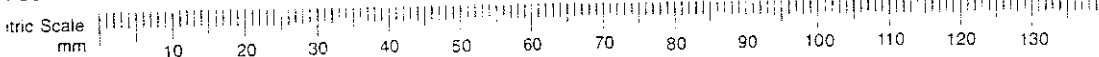
Attach the adapter tabs to the turn signal sockets with flat washers and 12mm lock

Attach the turn signals to the tabs with the original phillips head screws.

Connect the signals and running lights to the fairing wires, following the color code on page 4. Attach the green turn signal wire to the black fairing wire.

Slide the slack wire into the fairing by reaching through the side pocket. Fully twist the wires to keep them inside the fairing.

SCALE TO CHECK BOLT AND WASHER DIMENSIONS



WINDJAMMER IV - VINDCATOR II
 1979-80 CB750K, F, Ltd.

MOUNTING HARDWARE
 Packing List

PART#	DESCRIPTION	WJ 4	VIN 2
150060324	Mounting Bracket, CB 750K '79	1	1
150010154	Hardware Bag, WJSS, WJ4, VIN, VIN 2	1	1
170010016	Fairing Mounting Bolt Bag	1	1
170050009	Flat washer	4	4
170050013	Neoprene washer	4	4
170240008	6mm Bolt	4	4
170260003	6mm Lock Nut	4	4
130030101	Wiring Harness	1	1
130050006	Blue Connector Bag #3	1	1
130050002	Blue Connector #6127	3	3
170200002	Tyrap 6"	2	2
140100070	Mounting Instructions CB 750K '79	1	1
150130101	Reflector Clamp Bag	1	1
170170001	Hose Clamps #6	4	4
170240042	6mm Bolt	4	4
170270005	6mm Flat Washer	4	4
150130212	SES Clamp Style #3	2	2
150150706	SES Buckles Style #1	2	2
180020101	Headlight Wire Bag, Black	1	1
130060250	Conversion Kit, VIN/VIN 2,		1
150080122	Turn signal tab		2
170260006	12mm Lock Nut		2
170050017	12mm Flat Washer		2
150060314	Left turn signal bracket		1
150060317	Right turn signal bracket		1