

USE THIS SCALE TO CHECK BOLT AND WASHER DIMENSIONS

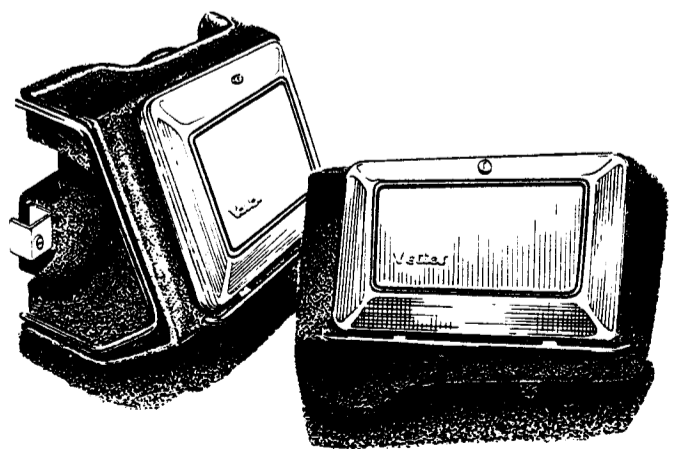


These instructions contain important information regarding the proper installation, safe use and maintenance of your Floating Mount Saddle Bag hardware. We urge you to read it and the Owner's Manual completely. Follow the recommendations for the most trouble-free and enjoyable use.

WARNING THE HARDWARE DESCRIBED IN THIS MANUAL WAS DESIGNED SOLELY TO MOUNT THE VETTER FLOATING MOUNT SADDLE BAGS TO THE MOTORCYCLE(S) DESIGNATED.

If you are unable to determine if this hardware is for your motorcycle, contact your dealer. If your dealer is unavailable, contact the Vetter Corporation, Customer Service Department, Rantoul, IL 61866 (217) 893-9300. These instructions contain valuable information for future reference. They must be given to the customer.

NOTE This manual may cover several motorcycles. Some illustration details may differ from your motorcycle. Follow the instructions.



Honda 1978 **CB750K**

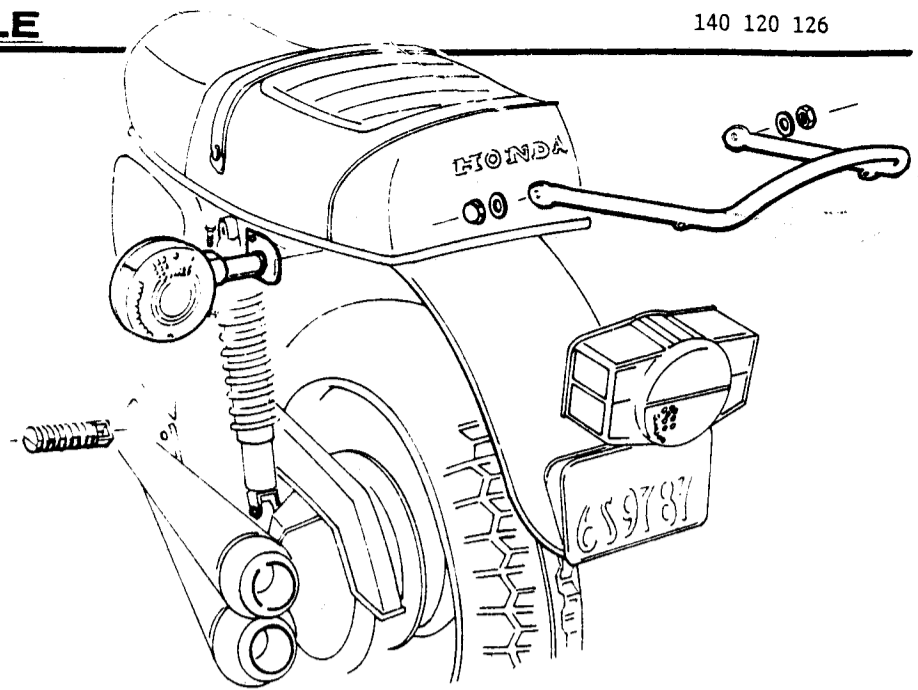
SPORT SADDLE BAG HARDWARE INSTRUCTIONS

Vetter

PREPARE THE MOTORCYCLE

140 120 126

- 1** Open the seat.
Trace the wires from the rear turn-signals and disconnect them at their bullet connections.
- 2** Remove the turnsignal lamp from the stalk. Gently pull the wiring through the stalk. Repeat for other side.
- 3** Remove the rear grab rail mounting bolts and pull the turnsignal brackets off the bike.
- 4** Remove the forward grab rail nuts and set the grab rail aside - it will not be used. Reinstall the forward nuts, stock washers and provided 10mm flat washer. Tighten to factory torque specifications.
- 5** Remove the passenger footrests.



INSTALL THE HARDWARE

- 1** Locate the sideloop assemblies. Scratch the paint from the outside of the upper mounting brackets to provide sufficient ground for the turnsignals.
Mount the upper mounting bracket to the bike's grab rail mounting location using the following sequence: 8x25mm bolt, lock washer, flat washer, mounting bracket, (one spacer for the right side only) and into bike's frame. Scratch the paint on the outside of the mounting brackets to provide adequate ground.
- 2** Mount the sideloop front strut at the footrest mount using the following sequence: provided 10x35mm bolt, footrest, front strut, muffler bracket, bike frame, 10mm flat washer and 10mm locknut. Repeat for other side.
- 3** Mount the turnsignal stalks using the following sequence: provided stalk, tomahawk, lock washer and hollow turn-signal bolt.
Thread the turnsignal wiring through the stalks; Right-blue/Left-orange. Mount the turnsignal lamps to the stalks and re-install the stock bolts and nuts. Tighten securely.
- 4** Position the rear luggage rack support around the taillight and mount the struts to the inside of the tomahawks in the following sequence: 6x30mm bolt, flat washer, tomahawk, spacer, rear luggage rack support, flat washer and locknut. The holes in the top of the strut should be pointing upward.
- 5** Mount the luggage rack to the forward luggage rack strut with the 6x30mm bolts, 6mm lock washers and 6mm flat washers as shown.
Mount the forward luggage rack strut to the inside of the anti-rotation tab in the following sequence: 8x20mm bolts, 8mm flat washers, anti-rotation tabs, struts, 8mm flat washers and locknuts.
Mount the luggage rack to the rear luggage rack support using the remaining 6x30mm bolts, 6mm lock washers and 6mm flat washers as shown. Tighten all luggage rack mounts to 6 ft-lbs. Mount reflectors as shown in illustration 5.
- 6** Continue with your Saddle Bag Owner's Manual for saddle bag mounting and final adjustments. We suggest you insert these instructions in the Owner's Manual for future reference.

